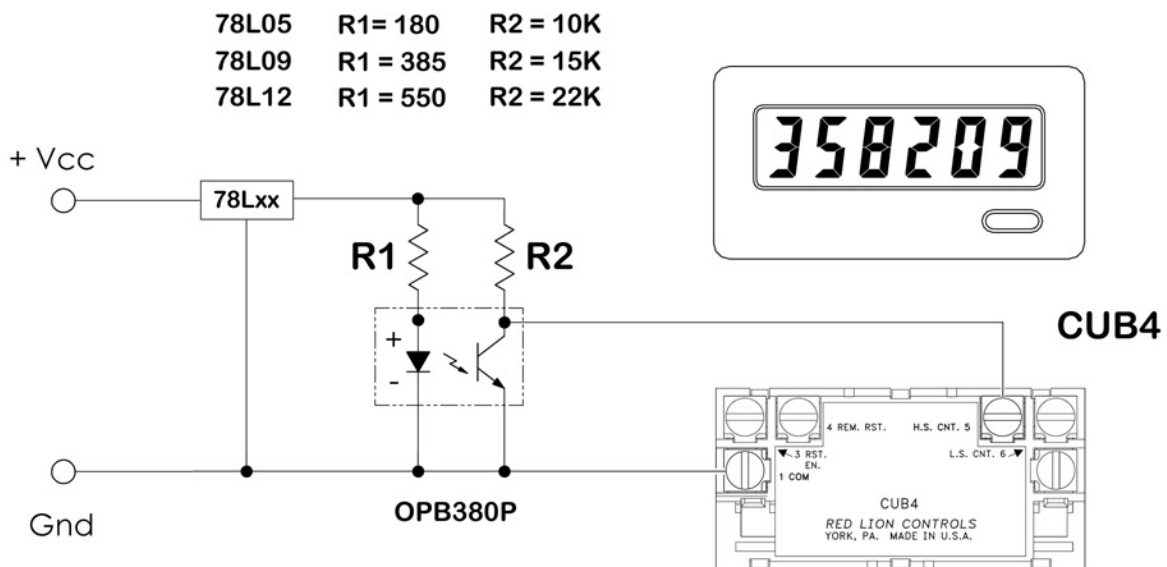
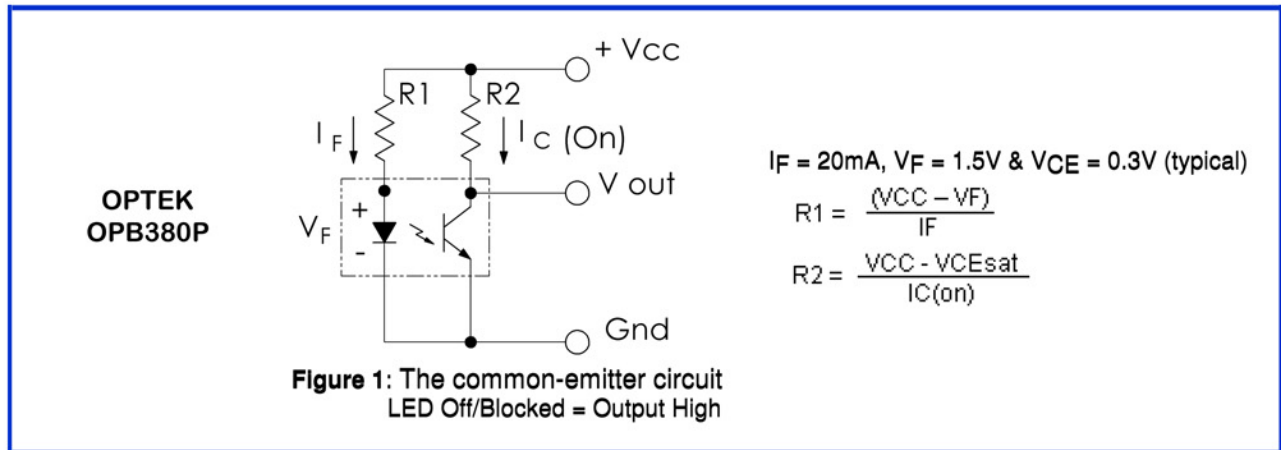


## Application Circuit using the CUB4 and OPB380P as a turns counter for a coil winding machine



**Make an Optical Interrupter Disc  
mount it to bobbin drive shaft**

